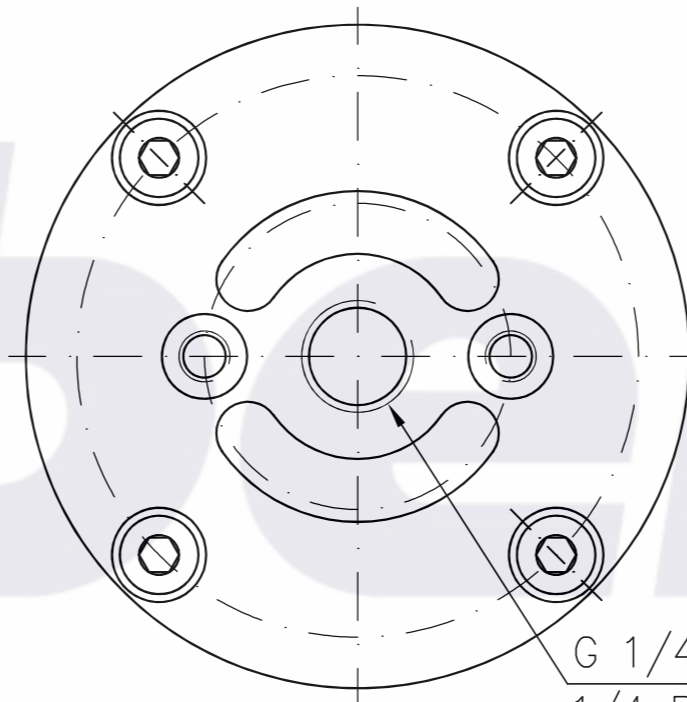
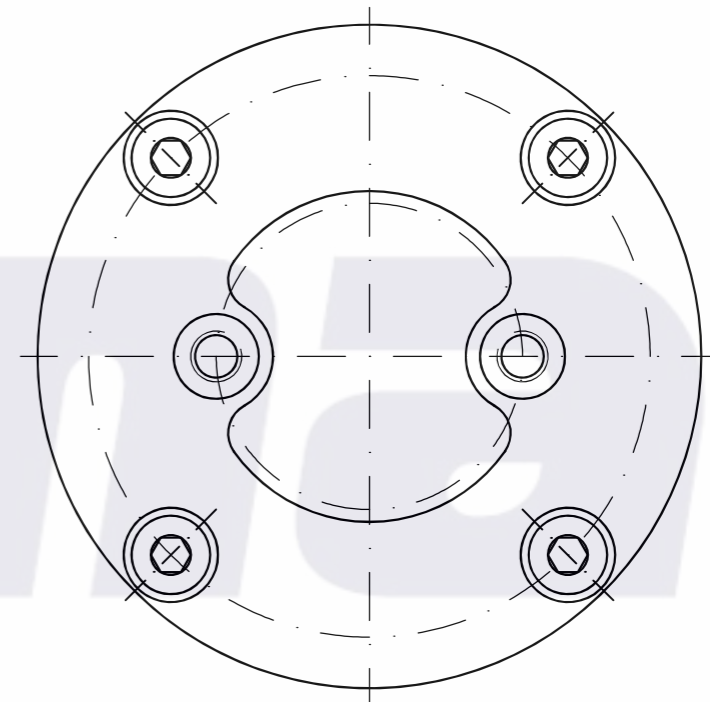


TOP VIEW



BOTTOM VIEW



Dunlop design line - 2 <sup>3</sup>/<sub>4</sub>" x 2