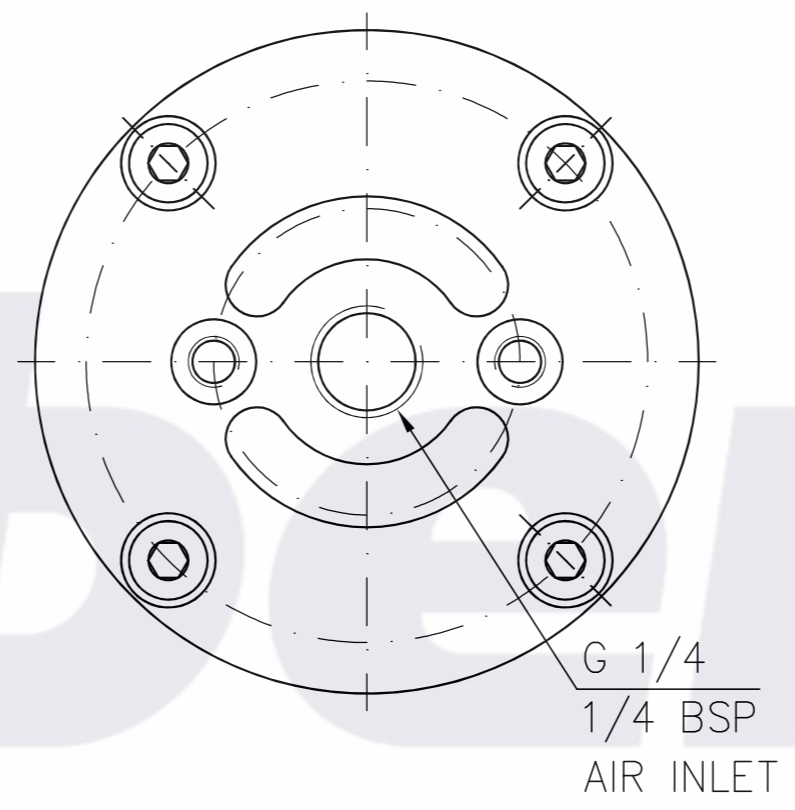
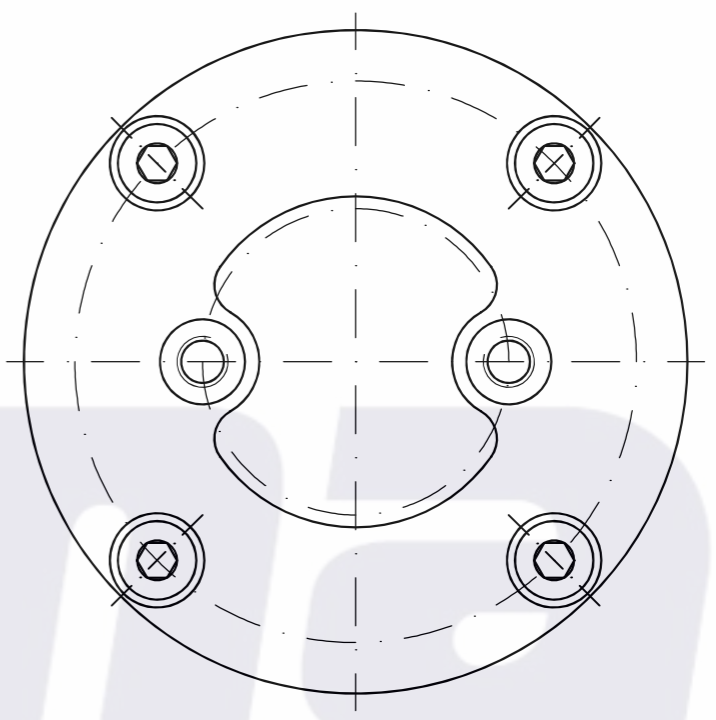


TOP VIEW



BOTTOM VIEW



Dunlop design line - 2 3/4" x 3