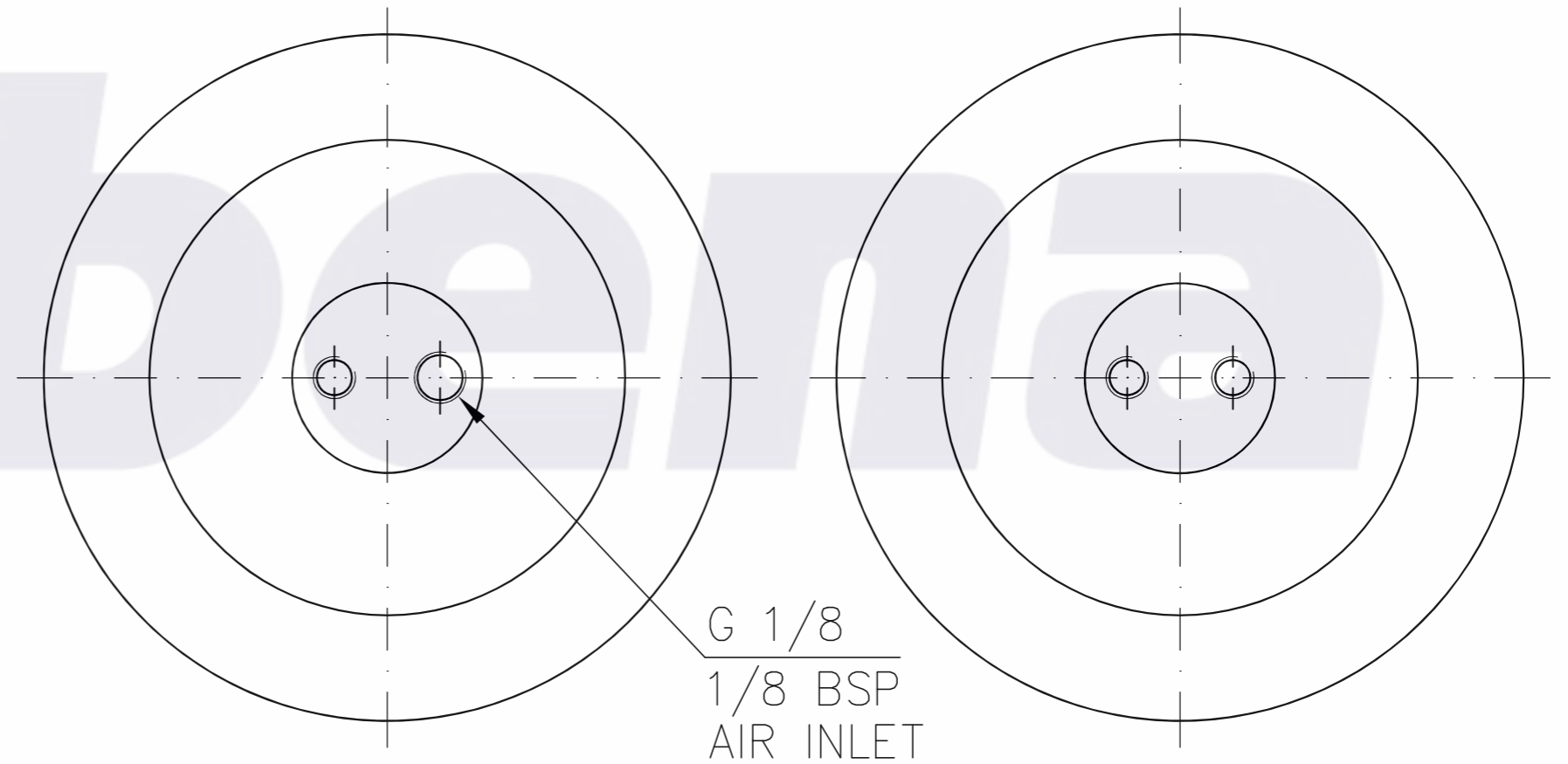


TOP VIEW

BOTTOM VIEW



Dunlop design line - 5" x 2 Crimped