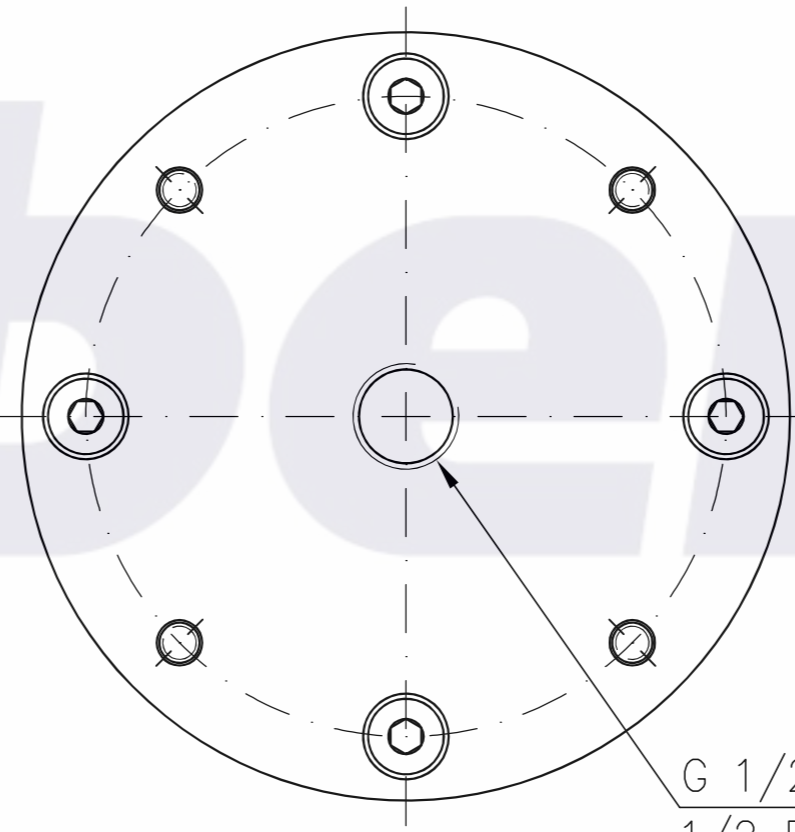
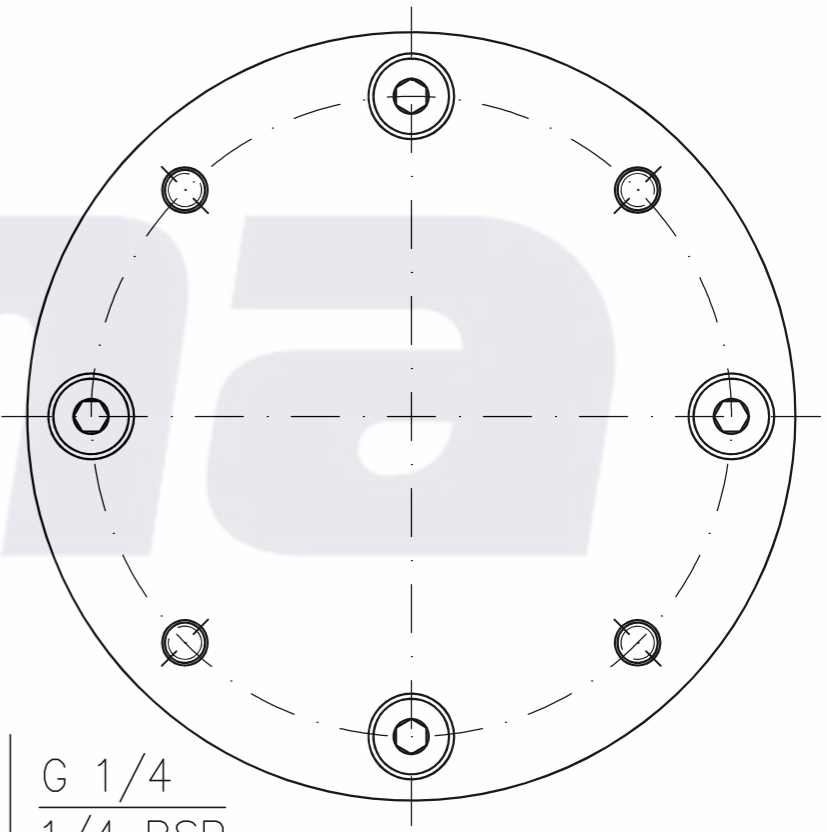


TOP VIEW



BOTTOM VIEW



Dunlop design line - 6" x 1 Aluminium