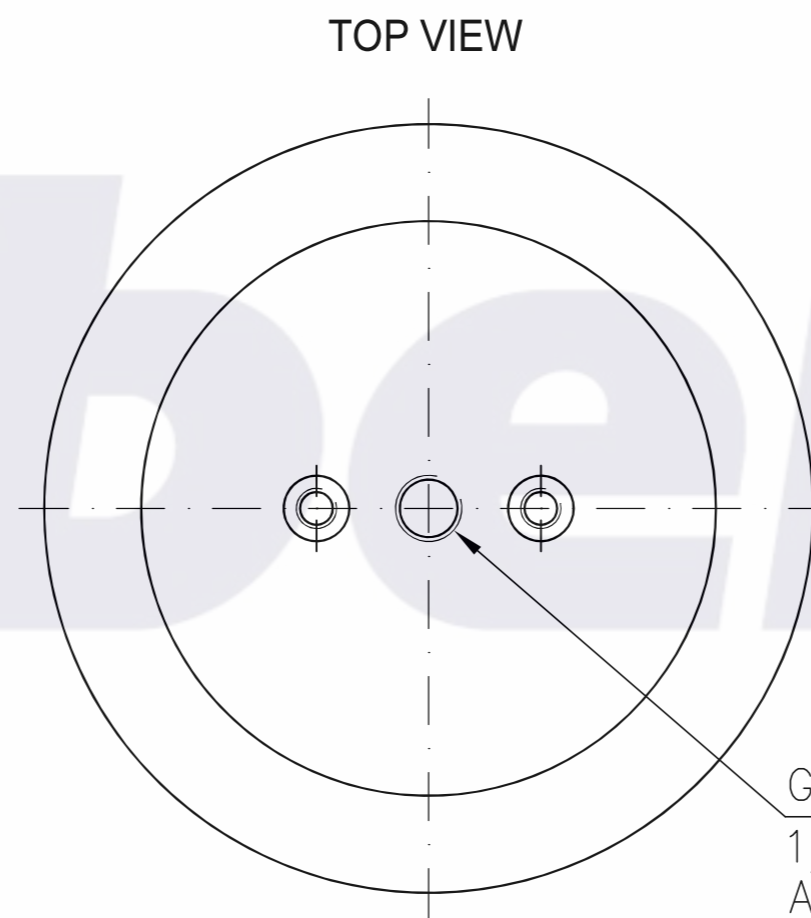
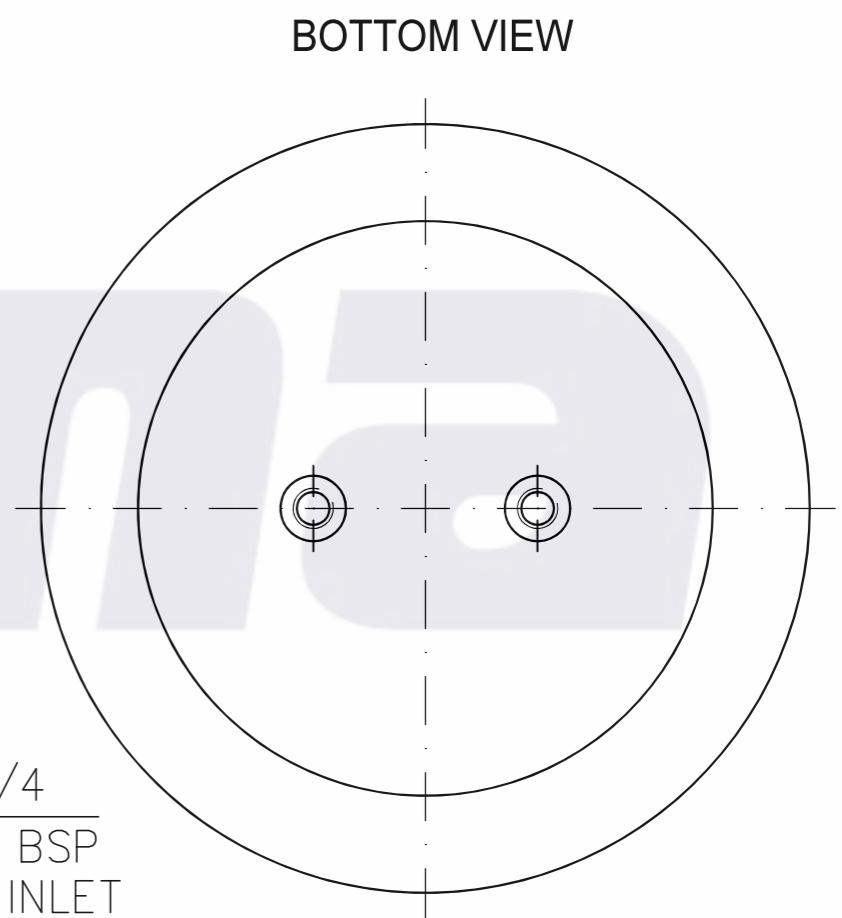


Hstat=95mm
 Hmin=53mm
 Hmax=110mm



G 1/4
 1/4 BSP
 AIR INLET



Dunlop design line - 6" x 1 Crimped